

PROVEN AND GOOD +++ OUR SB P40 STG PV ELECTRONIC



Touch display

New revised touch display.

All important information at a glance. Various possibilities to combine the different options (chip breaking mode, piece counter, spindle stop and snap action).

Thread cutting device as standard

Adjustable via programmable depth indicator.

Main switch

Large table surface working area

Optional machined base plate with integrated coolant system



Transparent hood

Transparent hood (ideal for training and schools), optionally also available with grey hood.

Stepless feed

With electromagnetic clutch.

LED illumination

LED lighting as standard, behind the drill spindle.

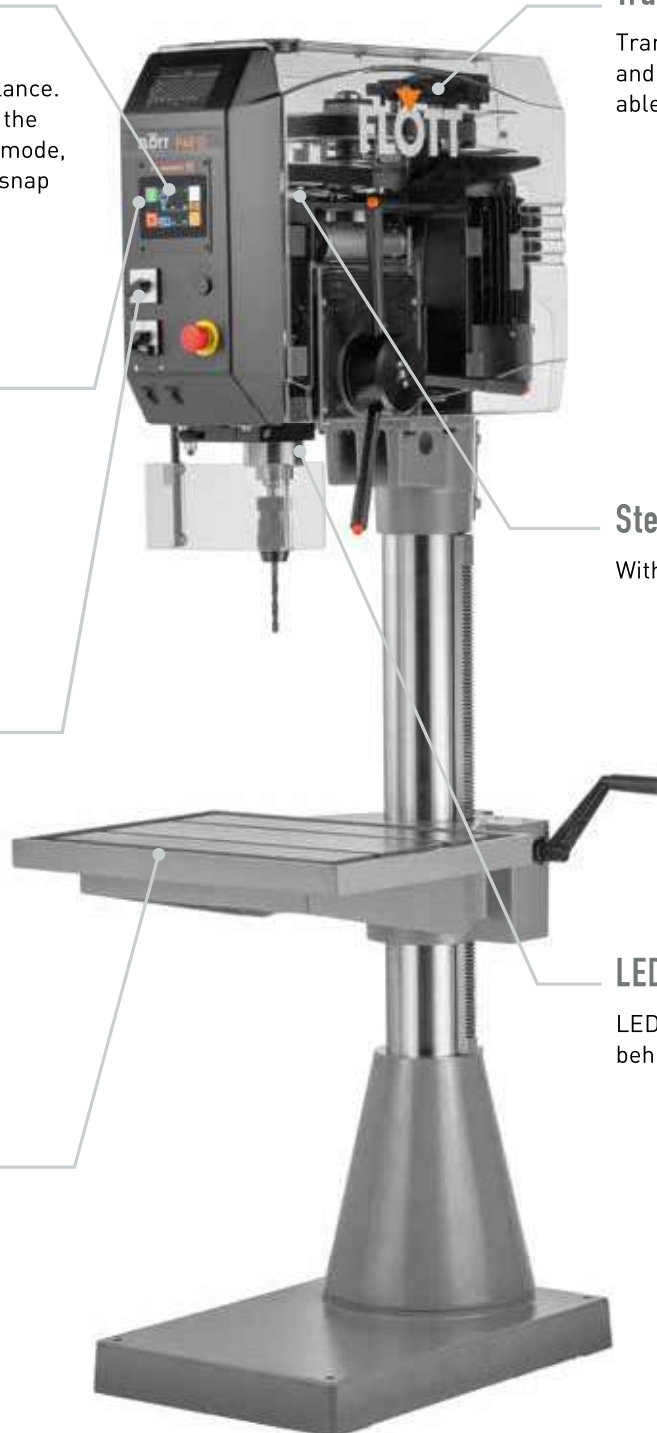


Fig. SB P40 STG PV electronic

CLASSIC DRILLING MACHINES

Our proven classic drilling machines -like all other FLOTT products, they stand for a very long service life.

They are designed to run on a simple underlying concept, as the speed adjustment runs mechanically via the belt pulley.

The drills have a variety of selectable displays: with a simple scale (M3 ST/M5 ST), with a purely digital display for drilling depth and speed (P30 ST/P40 ST) or the modern version, with the new "touch display" (P30 STG PV/P40 STG PV).

Of course, all machines also have a 3-year warranty (optionally extendable to 5 years).

