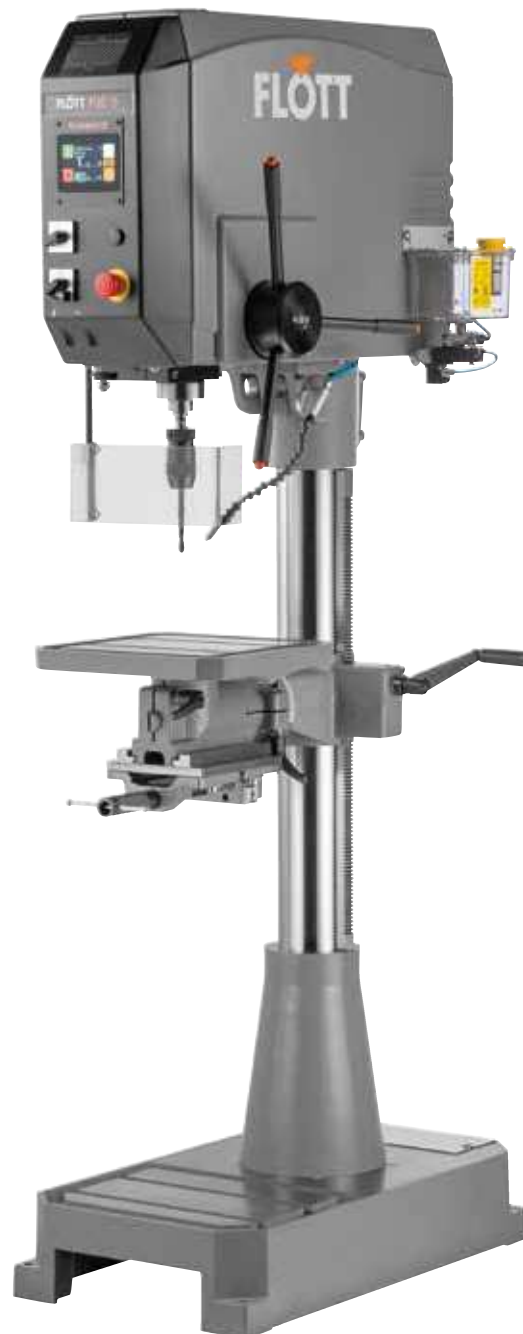


Column drill SB P30 STG PV electronic

Also with
transparent hood



- ▶ 3-year warranty for single-shift operation
- ▶ Warranty extension to 4 or 5 years available! See page 72-73

Fig.: SB P30 STG PV electronic with options

Fig.: SB P30 STG PV electronic with transparent hood and options

Standard equipment

- ▶ Drill depth adjustment with fine tuning and under-voltage release
- ▶ Emergency stop button
- ▶ Stepless speed control
- ▶ Table height adjustment via toothed rack
- ▶ Connecting cable (1.5 m) with CEE plug
- ▶ Drill protection with electrical fuse
- ▶ Thermal overload protection
- ▶ Digital display for drill depth, speed and feed rate display
- ▶ Feed is electronically regulated and continuously variable incl. spindle monitoring
- ▶ Free cutting device
- ▶ Thread cutting system, thread cutting performance max. M20, thread cutting depth is set using the digital depth display
- ▶ Drill depth shut-off; programmable; easy operation
- ▶ Drill handle with push-button for turning the feed on/off
- ▶ Optional transparent protective hood at no extra price
- ▶ LED lighting as standard

Special equipment

- ▶ Combination drilling table with vice and square table, can be rotated 360° with scale
Jaw width 120 mm, span 105 mm
Table surface 350 x 350 mm
Order no. 290.125
- ▶ Machined foot plate
Order no. 290.175B
- ▶ Machined base plate incl. integrated coolant system
Filling quantity: max. 15 l
Delivery rate: max. 30 l/min
Order no. 290.160B
- ▶ LED lighting with articulated arm
Order no. 290.241
- ▶ Coolant system (separate container)
Filling quantity: max. 15 l, Delivery rate: max. 30 l/min
Order no. 290.340

Software options that can be supplied for PV electronic

- ▶ Safety module – automatic spindle stop for drill spindle at the top
Order no. 290.613
- ▶ Chip breaking module – prevents the formation of long chips
Order no. 290.612
- ▶ Snap action – 4 freely selectable feed speeds per working stroke
Order no. 290.614

Our classic

Technical data

Drilling capacity/normal drilling performance (mm)	25/30 (in E335/ST60)
Thread cutting performance max. (depending on gradient)	M20
Spindle	MK III
Drilling depth (mm)	125 mm
Distance column-spindle (mm)	280 mm
Column diameter (mm)	110 mm
Useable table surface (W x L) (mm)	420 x 340 mm
T-slot size (arm), distance (mm), width measurement (mm)	Quantity 2, 125, 13/26
Speed indicator	digital
Drilling depth indicator	digital
Drilling depth stop	with fine tuning
Table height adjustment	with toothed rack
Three-phase current motor 400 V, pole-changeable (kW)	0.90/1.45
Spindle speed, stepless (1/min) with gearing (2 stages)	125-4,000
Stage I	125-2,000
Stage II	250-4,000
The step change takes place via belt-reversal	

SB P30 STG PV electronic

Feed, stepless (mm/min) incl. electromagnetic clutch; digital display	0-300
Spindle/table (mm)	240-790
Machine dimensions without VP (mm)	520 x 820 x 1,900
Machine dimensions with VP (mm)	670 x 1,100 x 2,200
Weight (kg)	320
Order no. transparent hood	207.220
Order no. grey hood	207.183
Additional accessories	from page 62

Accessories

Drill package 5

- ▶ Vice [felix] 150 2.0
- ▶ Taper mandrel MK III/B18
- ▶ Reduction sleeve MK III/MK I
- ▶ Reduction sleeve MK III/MK II
- ▶ Quick-change drill chuck B18 3-16 mm (accuracy 0.17 mm)
Order no. 296.594

